

niftylift

HR12 4x4



ADVANCED ACCESS PLATFORMS



(A) 12.2m
40ft



(B) 10.2m
33ft 6in



(C) 6.1m
20ft



200kg
440lbs



1.1m x 0.65m
3ft 7in x 2ft 2in



(D) 1.95m
6ft 5in



(F) 1.6m
5ft 3in



(J) 4.1m
13ft 5in



3.7km/h
2.2mph



4.3m
14ft 1in



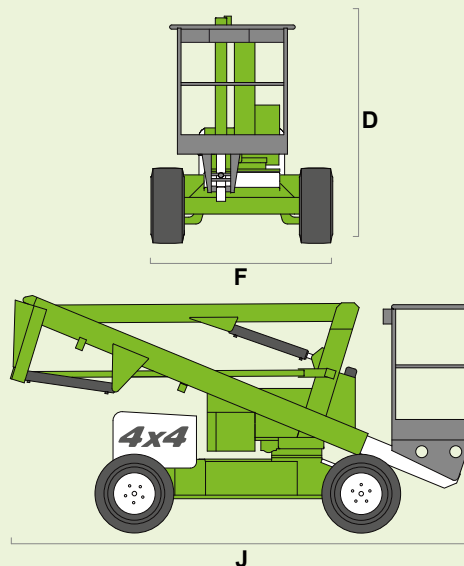
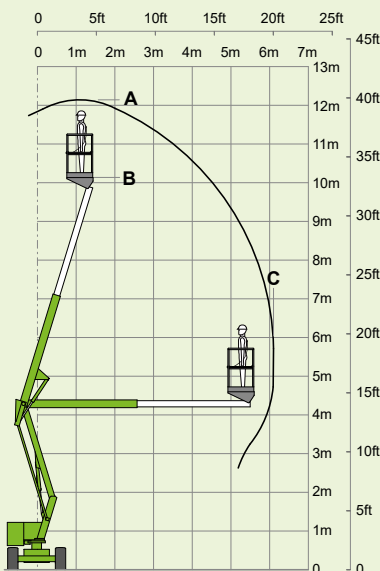
30%
17°



3470kg
7650lbs



Bi-Energy



niftylift

Chalkdell Drive, Shenley Wood,
Milton Keynes, MK5 6GF
England, United Kingdom
☎ +44 1908 223456
✉ sales@niftylift.com
🌐 www.niftylift.com

 ISO 9001 QUALITY MANAGEMENT	 ISO 14001 ENVIRONMENTAL MANAGEMENT	 ISO 45001 HEALTH & SAFETY MANAGEMENT
--	---	--



ADVANCED ACCESS PLATFORMS

Bi-Energy

