

niftylift



ADVANCED ACCESS PLATFORMS



HR12N



(A) 12.2m
40ft



(B) 10.2m
33ft 6in



(C) 6.1m
20ft



200kg
440lbs



1.1m x 0.65m
3ft 7in x 2ft 2in



(D) 1.9m
6ft 3in



(F) 1.5m
4ft 11in



(J) 4.1m
13ft 5in



3.4km/h
2.1mph



4.2m
13ft 9in



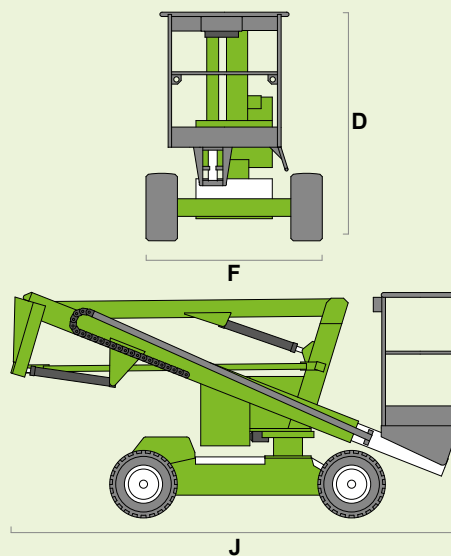
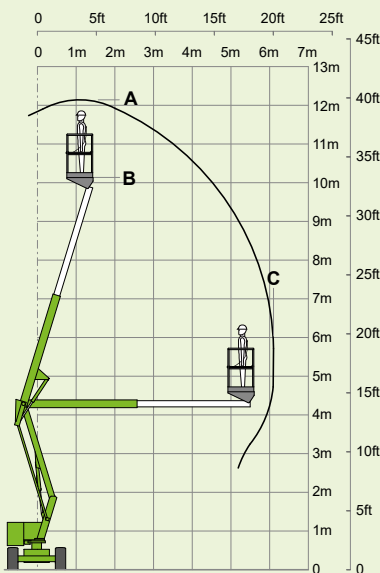
25%
14°



3435kg
7575lbs



BiEnergy



niftylift

Chalkdell Drive, Shenley Wood,
Milton Keynes, MK5 6GF
England, United Kingdom
+44 1908 223456
sales@niftylift.com
www.niftylift.com

 ISO 9001 QUALITY MANAGEMENT	 ISO 14001 ENVIRONMENTAL MANAGEMENT	 ISO 45001 HEALTH & SAFETY MANAGEMENT
---	--	--



**ADVANCED
ACCESS PLATFORMS**