

# niftylift

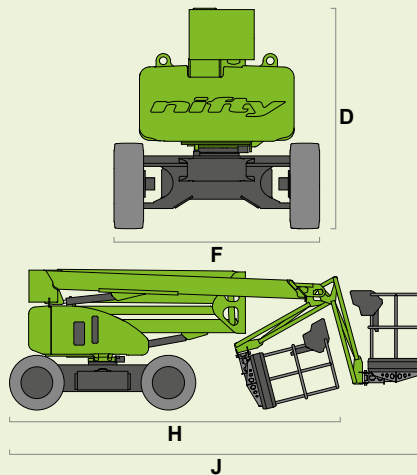
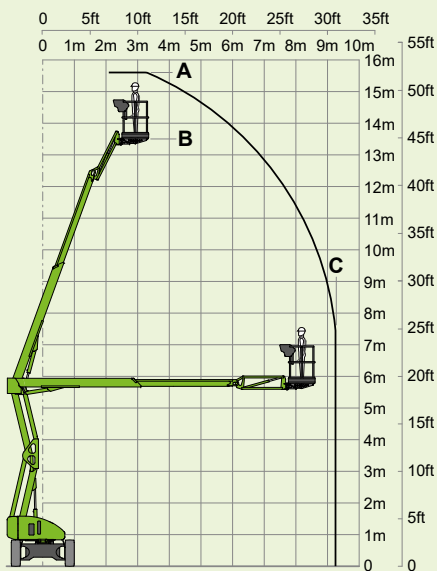
# HR15 4x4



## ADVANCED ACCESS PLATFORMS



Niftylink®



SiOPS® toughcage      Niftylink® Gen<sup>2</sup> Hybrid

- (A) 15.7m / 51ft 6in
- (B) 13.7m / 45ft
- (C) 9.4m / 31ft
- 225kg / 500lbs
- 1.8m x 0.85m / 5ft 11in x 2ft 9in
- 150°
- 180°
- (D) 2.1m / 6ft 11in
- (F) 2m / 6ft 7in
- (H) 4.8m / 15ft 9in
- (J) 6.35m / 20ft 10in
- 6km/h / 3.7mph
- 3.7m / 12ft 2in
- 45% / 24°

**niftylift**  
 Chalkdell Drive, Shenley Wood,  
 Milton Keynes, MK5 6GF  
 England, United Kingdom  
 ☎ +44 1908 223456  
 ✉ sales@niftylift.com  
 🌐 www.niftylift.com

ISO 9001	ISO 14001	ISO 45001
QUALITY MANAGEMENT	ENVIRONMENTAL MANAGEMENT	HEALTH & SAFETY MANAGEMENT

## ADVANCED ACCESS PLATFORMS

4500kg\* / 4800kg  
 9920lbs\* / 10580lbs

Hybrid<sup>2</sup>