

niftylift



ADVANCED ACCESS PLATFORMS



120T



(A) 12.2m
40ft



(B) 10.2m
33ft 6in



(C) 6.1m
20ft



200kg
440lbs



1.1m x 0.65m
3ft 7in x 2ft 2in



(D) 1.9m
6ft 3in



(E) 1.1m
3ft 7in



(F) 1.5m
4ft 11in



(G) 3.55m
11ft 8in



(J) 4.5m
14ft 9in



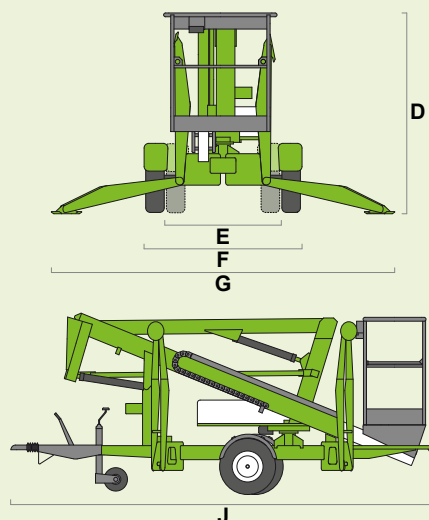
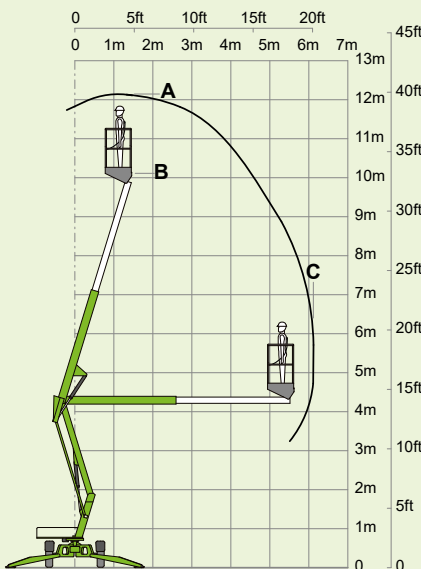
1400kg
3100lbs



11%
6°



Bi-Energy



niftylift

Chalkdell Drive, Shenley Wood,
Milton Keynes, MK5 6GF
England, United Kingdom
+44 1908 223456
sales@niftylift.com
www.niftylift.com

nqa. ISO 9001 QUALITY MANAGEMENT	nqa. ISO 14001 ENVIRONMENTAL MANAGEMENT	nqa. ISO 45001 HEALTH & SAFETY MANAGEMENT
--	---	---

**ADVANCED
ACCESS PLATFORMS**

Bi-Energy

